

BST CRI-CRI SAFETY KNIFE

METAL DETECTABLE, REUSABLE SAFETY KNIFE

PAGE 1 of 3

Product Specifications

KN851489MB | Revised February 2015



Product Name: Cri-Cri

Product Description: The CRI-CRI 2 metal detectable safety knife features a sealed in stainless steel blade with a plastic detectable point ideal for piercing and cutting plastic sheeting / shrink wrap and cutting plastic strapping. The metal detectable handle of the knife is ergonomically designed for maximum comfort and ease of use. The body of the knife is manufactured from metal detectable nylon, with a stainless steel blade, screw & nut. For best results strapping should be cut at a 45° angle.

Product Prefix: KN851489MB

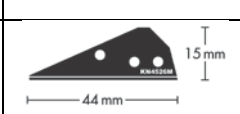
Product Colour: Blue

Pack Size: 1 Knife

Product Advantages:

- ✓ Detectable by conventional metal detection systems
- ✓ Highly visible blue colours for easy visual identification
- ✓ EU Food Contact Approved
- ✓ Effective for shrink wrap, plastic strapping and cardboard
- ✓ Ambidextrous ergonomic design to prevent operator fatigue

Replacement Blades:

Blade Description	Blade Size (mm)	Pack Quantity	Order Code	Drawing
Blade (Food Grade Stainless Steel)	54 x 19 x 0.30	10 Pack	KN4893M	



BS Teasdale & Son Ltd. Unit 7, Delta Court, Sky Business Park, Robin Hood Airport, Doncaster, South Yorkshire, DN9 3GN
Tel: 0845 643 0950 Email: sales@detectable-products.co.uk Web: www.detectable-products.co.uk

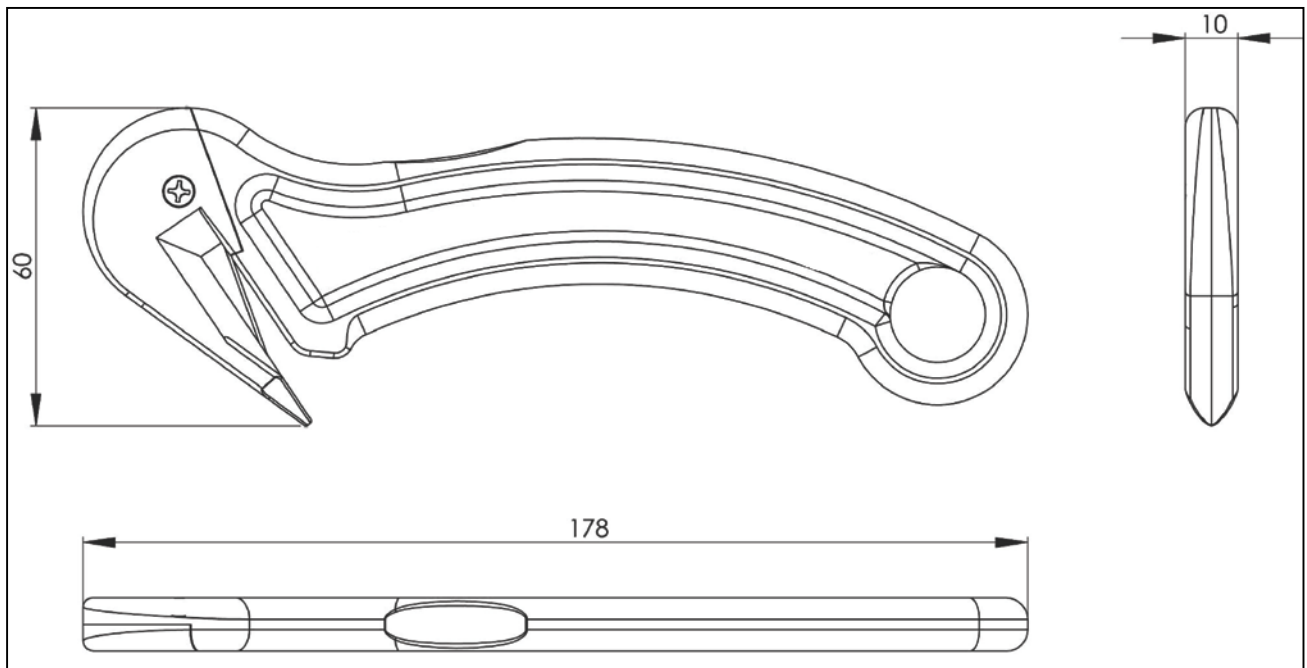
BST CRI-CRI SAFETY KNIFE

METAL DETECTABLE, REUSABLE SAFETY KNIFE

Product Material Breakdown:

Unit Weight	Unit Size (mm)	Order Quantity	Parts per Unit	Parts	Part Material	Part Colour(s)
50g	175 x 53 x 10	Individual Knife	5 Parts	Handle	Polyamide / Glass Fibre (PA6 + 30% FV)	Turquoise
				Head	Polyamide / Glass Fibre (PA6 + 30% FV)	Dark Blue
				Screw	Food Safe Stainless Steel	Metallic Grey
				Nut	Food Safe Stainless Steel	Metallic Grey
				Blade	Food Safe Stainless Steel	Metallic Grey

Technical Drawings:



Blade Change Instructions:

Step #1	Step #2	Step #3
Unscrew	Remove the knife head	Replace the blade, securing it into position by lining up the two pins, reattaching the head, and screwing it back in.



BST CRI-CRI SAFETY KNIFE

METAL DETECTABLE, REUSABLE SAFETY KNIFE

PAGE 3 of 3



Metal Detectability

The body of this safety knife is manufactured using plastic composite materials containing an evenly dispersed metal detectable additive. The detectability of these materials will vary based upon the metal detection systems being used and their calibration. All components of this safety knife are manufactured from metal detectable polymers or stainless steel, making the product fully metal detectable. Detectability performance will vary based on, but not limited to the following factors:

- Detector Calibration Levels
- Food Product Type (E.g. Wet, Dry, Frozen, Liquid)
- Aperture Dimensions
- Contaminant Orientation

For this reason BST recommend that all our products be thoroughly tested on your metal detection systems by a trained and certified professional. It may be the case that your equipment needs to be recalibrated in order to reliably detect this product and its fragments. Such a professional should be available by contacting the manufacturer of your metal detection system.

DISCLAIMER

The information provided in this product specification sheet is based on our experience and knowledge to date and we believe it to be true and reliable. This information is intended as a guide for your use of our products, the use of which is entirely at your own discretion and risk. We, BS Teasdale & Son Ltd, cannot guarantee favourable results and assume no liability in connection with the use of our products.

© 2014 BS Teasdale & Son Ltd. All Content, Data & Images are owned by BS Teasdale & Son Ltd and are protected by international copyright law.



BS Teasdale & Son Ltd. Unit 7, Delta Court, Sky Business Park, Robin Hood Airport, Doncaster, South Yorkshire, DN9 3GN
Tel: 0845 643 0950 Email: sales@detectable-products.co.uk Web: www.detectable-products.co.uk